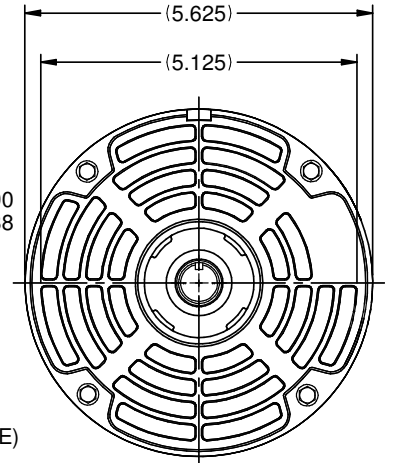
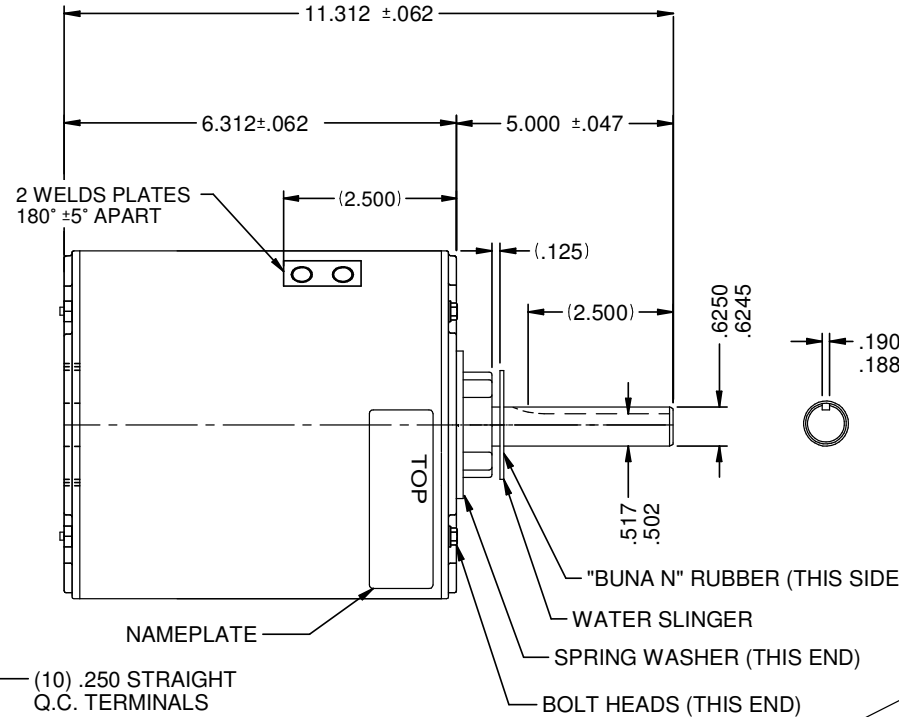
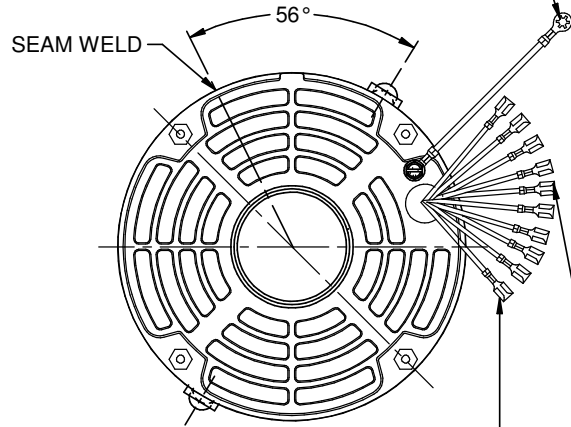


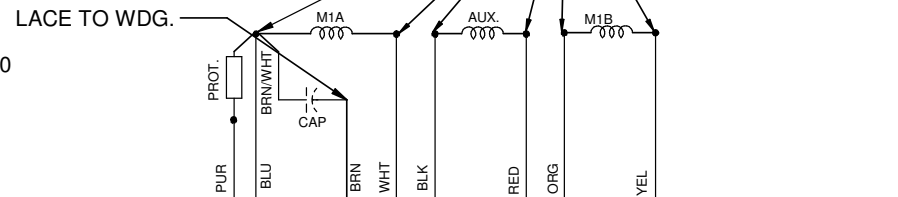
MODEL	REF	CUSTOMER	HP	VOLTS	AMPS	HZ	RPM	ROTATION	CUSTOMER PN	DESCRIPTION / REMARKS
K55HXCMV-1654	C37129	WHOLESALE HAC	1	208-230/460	6.1/3.1	60	1125	CCW. LEAD END REV.	1376	K55 HUB MTD, BALL BRG., OPEN

REV. A

#16 GRN/YEL GROUND LEAD TO BE 6.000±.250 BETWEEN CENTER OF TERMINALS, TERMS. TO FIT #10 SCREW



(10) LEAD #18 GA., .062 THICK INSUL TO EXTEND BEYOND MOTOR  
 BLACK=98.0 +/-2.0 WHITE= 98.0+/-2.0  
 PURPLE=98.0+/-2.0 BLUE= 98.0+/-2.0  
 (2) BROWN 98.0 +/-2.0 BROWN / WHT 98.0+/-2.0  
 ORANGE=98.0+/-2.0 YEL=98.0 +/-2.0  
 RED=98.0 +/-2.0



NIDEC MOTOR CORPORATION 21-Sep-16

TO REVERSE ROTATION INTERCHANGE BLACK AND RED LEADS.

REFER TO S.E.I.M. 24-1

REVISION RECORD FOR:	ECO E26823
I CHANGED THE GROUND LEAD LENGTH FROM 7.000 TO 6.000 INCHES.	
ISSUED BY:	G. MEDINA
ENGINEER APPROVED:	A. VILLANUEVA

DIMENSIONS ARE FOR REFERENCE ONLY  
 UNLESS TOLERANCE IS SPECIFIED

<b>NIDEC MOTOR CORPORATION</b>			
INFORMATION DISCLOSED ON THIS DOCUMENT IS CONSIDERED PROPRIETARY AND SHALL NOT BE REPRODUCED OR DISCLOSED WITHOUT WRITTEN CONSENT OF NIDEC MOTOR CORPORATION			
TITLE			REVISION DATE:
CUSTOMER DETAIL DRAWING			21-SEP-16
CODE	ITEM NO.	REV	SHEET NUMBER
V02	810457	A	1 OF 3
			DWG SIZE
			B